

# Specification sheet LX 803

## Parapet drainage system

### Series 93 ATTIKASTAR®

**Main drainage**

**Siphonic flow**

**Silent Power**

**Discharge rate:** 32,0 l/sec

**Water height:** 55 mm

**Roof penetration:** 55 mm

**Diameter:** DN 100

**LX-Number:** LX 803

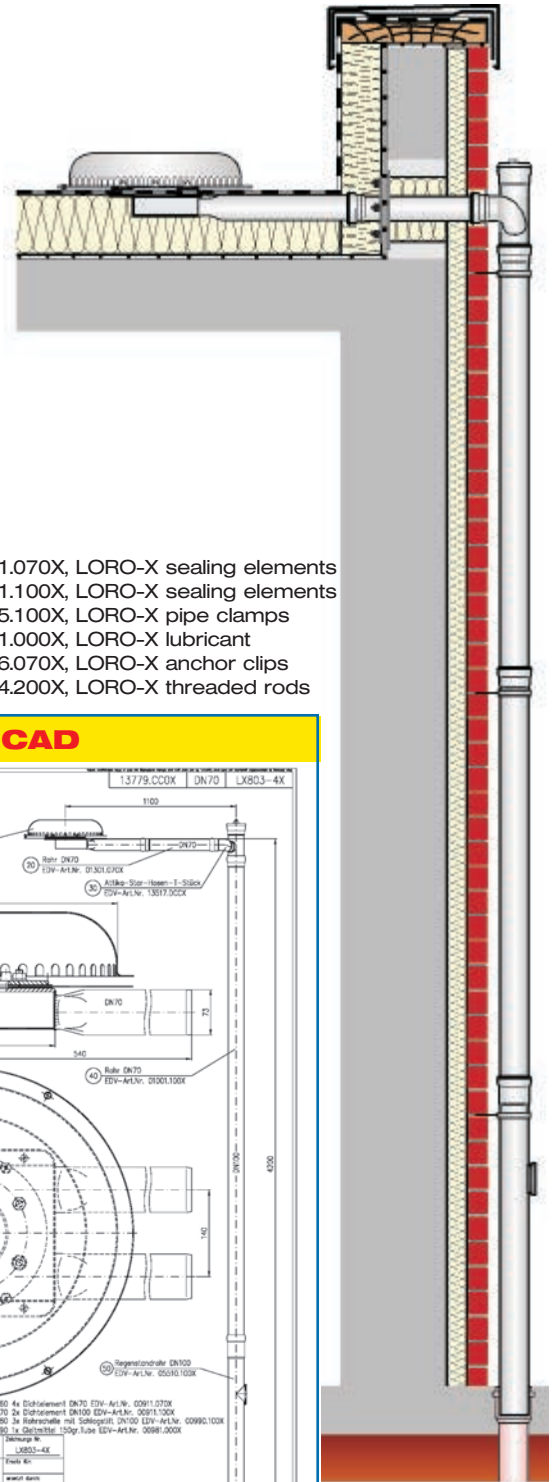
**Weir height:** 0 mm

**Drain:** not ventilated

**Downpipe:** not ventilated

**Downpipe height:** min 4,2 m

**Drainage:** in sewer

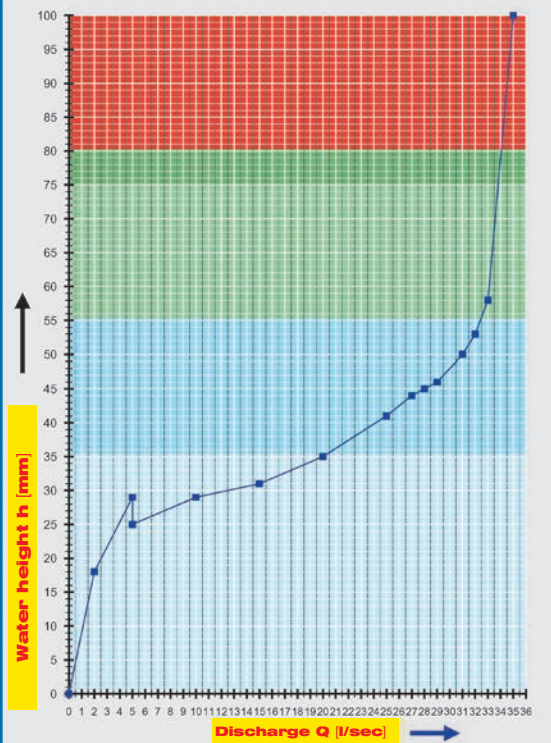


#### LX 803 Piece list

- 1 x Art.-No. 13779.CC0X, ATTIKASTAR® Parapet drain
- 2 x Art.-No. 01301.070X, LORO-X pipe with one socket
- 1 x Art.-No. 13228.070X, LORO-sliding flange
- 1 x Art.-No. 13517.DCCX, LORO-ATTIKASTAR® Y-shaped joint
- 1 x Art.-No. 01001.100X, LORO-X pipe with one socket
- 1 x Art.-No. 05510.100X, LORO-X standpipe

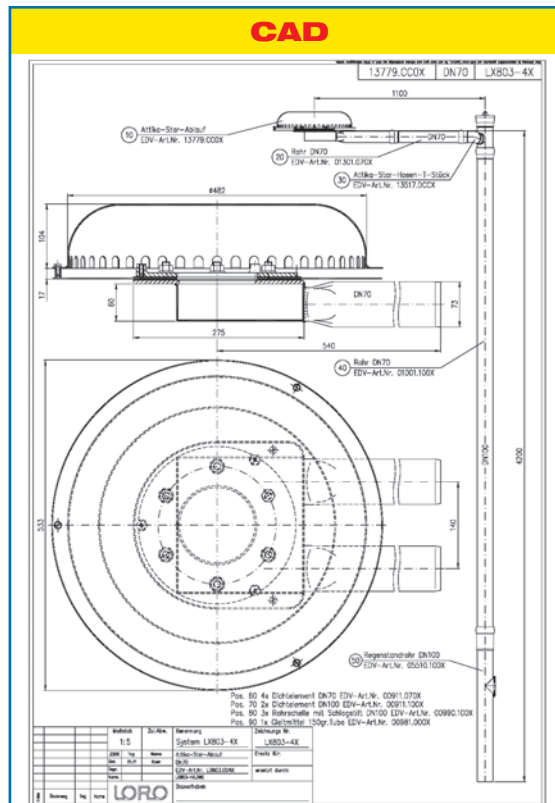
- 4 x Art.-No. 00911.070X, LORO-X sealing elements
- 2 x Art.-No. 00911.100X, LORO-X sealing elements
- 1 x Art.-No. 00975.100X, LORO-X pipe clamps
- 1 x Art.-No. 00981.000X, LORO-X lubricant
- 4 x Art.-No. 00806.070X, LORO-X anchor clips
- 2 x Art.-No. 09604.200X, LORO-X threaded rods

#### hQ - Head-Discharge curve



**Systempower**

#### CAD



**Systemshape**

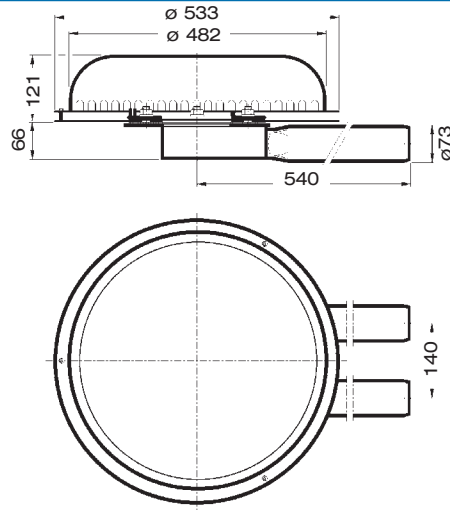
Water height	mm	5	10	15	20	25	30	35	40	45	50	55	60	65	70	75
Discharge	l/sec				2,5	4	12,5	20	24	28	31	32	33	33,3	33,5	34
		<b>Silent</b>					<b>Silent Power</b>									

**LORO-ATTIKASTAR® parapet drainage systems, DN 100**

**LX803-4X**

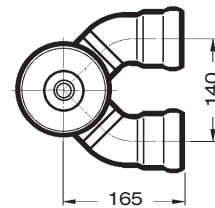
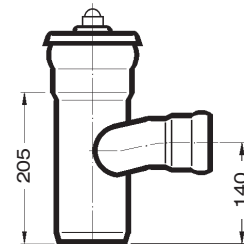
drain article No. 13779.CC0X  
Weight: 14,8 kg

**with clamping flange**  
for bituminous and plastic  
roofing sheets



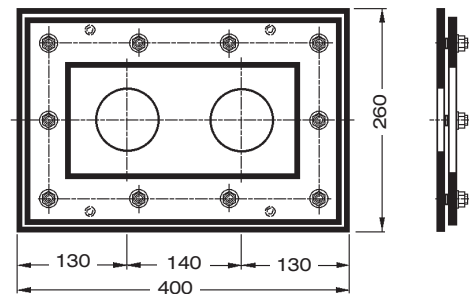
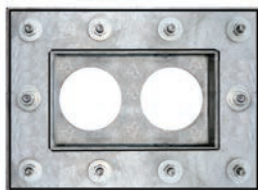
**Y-shaped joint, with end plug, for LORO-ATTIKASTAR® siphonic parapet drainage systems**

DN 100/70/70, made of hot-dip galvanised steel, additionally coated on the inside, article No. 13517.DCCX  
Weight 2,9 kg



**sliding flange for LORO-ATTIKASTAR® siphonic parapet drainage systems**

with pre-assembled connecting sleeve for bituminous vapor barriers or plastic roofing sheets, made of hot-dip galvanised steel, including fastening screws, article No. 13228.070X  
Weight: 5,1 kg



**Please remember:** For siphonic roof-drainage systems it is necessary to use only original LORO-X pipes and fittings to get the mentioned discharge power! Mixing or changing components of the system may lower the discharge rate! The minimum downpipe length is 4,2m to get the full siphonic power. If the Drain and downpipe is installed by different people (f.e. roofer and plumber) make sure that the system is built as described in data-sheet.

**Heat tracing:** Lorowerk recommends to check all drains and pipes with regard to their frost-sensibility. Where necessary, these parts should be upgraded with heat tracing.